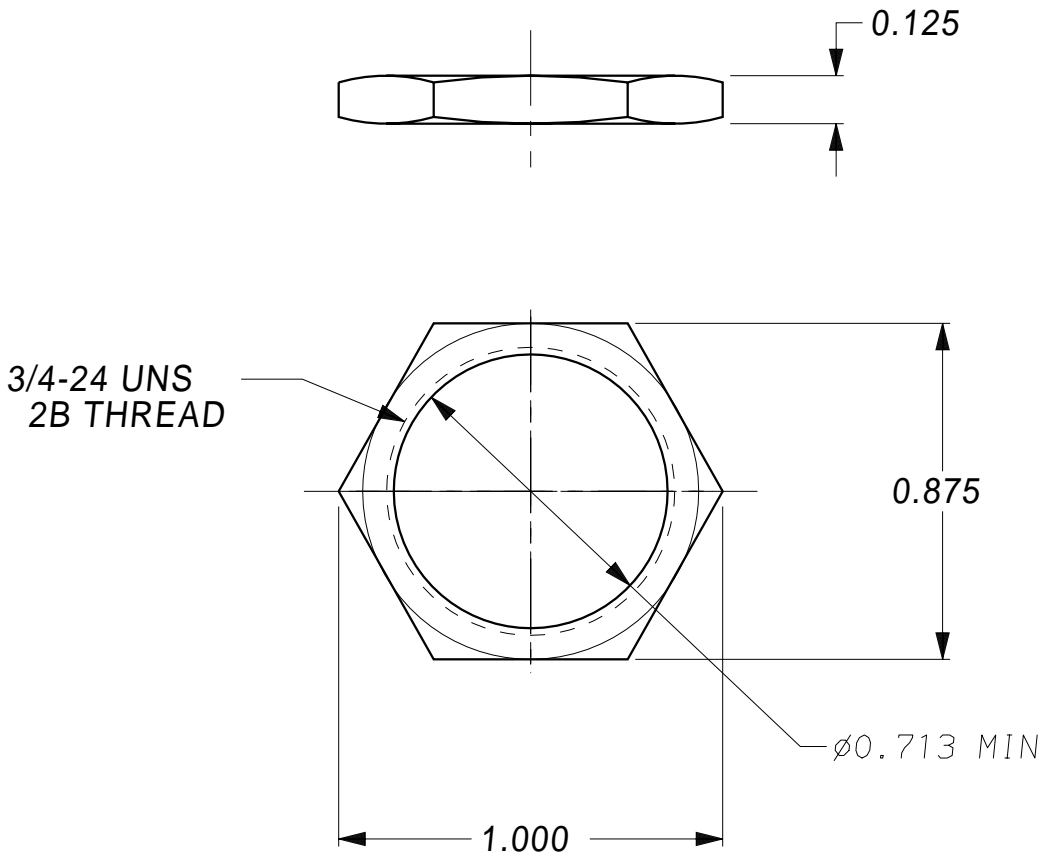


ALL DIMS. AND TOLS. PER ANSI Y14.5	NAME	R. WOOD	DATE	3/28/84	1750507	REV	D
	SCALE	2:1	APPR.			SHT.	OF
TOLERANCES		UNLESS OTHERWISE SPECIFIED DIMENSIONS ARE IN INCHES		<b>NUT</b> <b>CAST ZINC</b> <b>Y SERIES</b>			
DECIMAL	ANGLE	THIS DOCUMENT AND THE INFORMATION IN IT IS THE EXCLUSIVE PROPERTY OF C&K COMPONENTS, INC., AND IS NOT TO BE USED OR DISCLOSED WITHOUT THE EXPRESS WRITTEN PERMISSION OF C&K COMPONENTS, INC.					
.XX±	.XXX± ±						
<input checked="" type="checkbox"/>	CRITICAL - MUST COMPLY WITH C&K QUALIFICATION STD. CKQI0019						
<input type="checkbox"/>	MAJOR DIMENSION						

CAD FILE NO.: 1750507



NOTES:  
1. MATERIAL: ZINC, ZAMAC 3

ECN	SYM	DESCRIPTION	DATE	ECN	SYM	DESCRIPTION	DATE	1750507 SHT. OF REV D
14159	D	MATERIAL: CAST ZINC WAS STEEL.	8/1/03 CAB					